

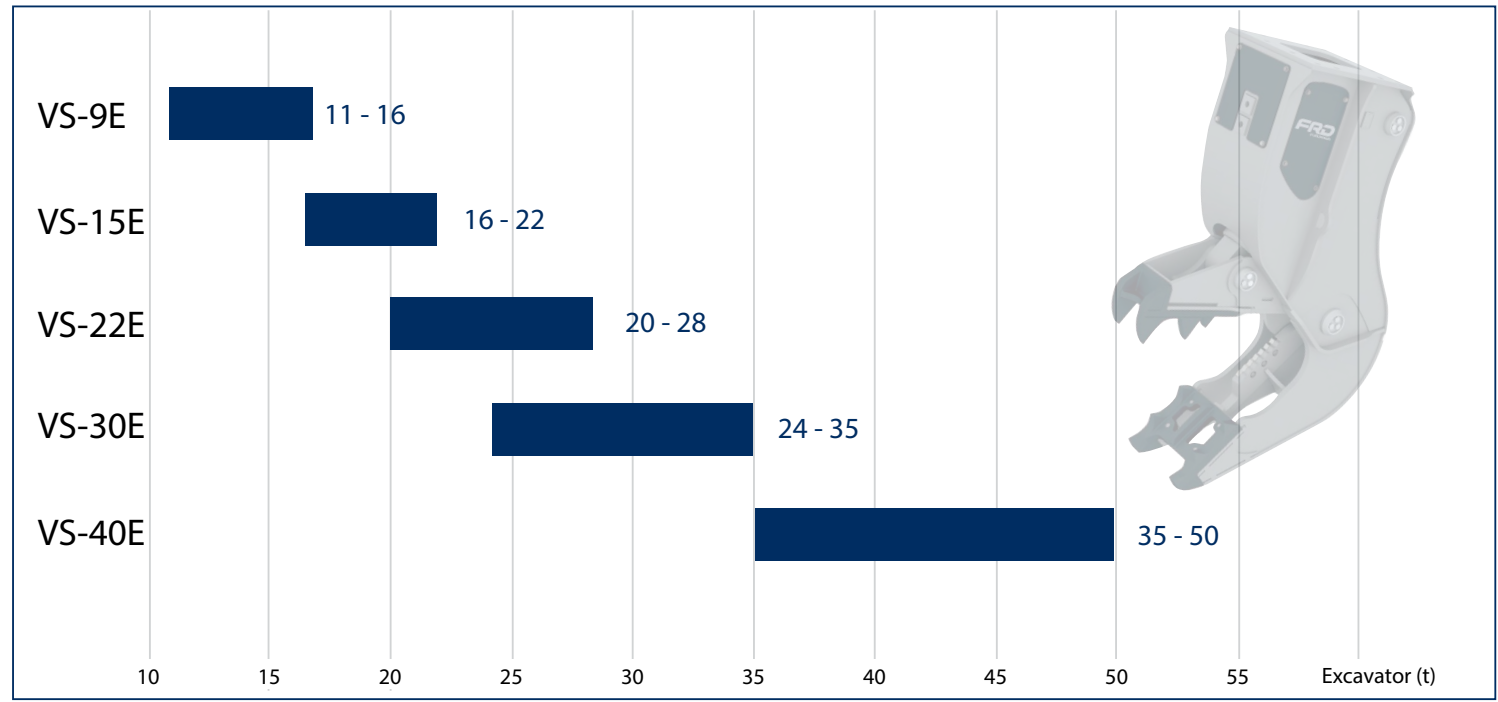
# SECONDARY CRUSHER



WHERE EXPERIENCE COUNTS

# SECONDARY CRUSHERS

## EXCAVATORS



### FRD SILENT DEMOLITION TOOL: HIGH RELIABILITY AND LOW MAINTENANCE

The FRD secondary crusher is the tool for crushing concrete for recycling, to separate reinforced steel from the concrete and for the crushing of road surfaces. Crushing of large/oversized objects makes it easier for loading and transporting. They are characterized by a very wide jaw opening, the extraordinary closing force and the high opening and closing speed. Apart from recycling it can also be used in the demolition of pavement or concrete surfaces.



# VS SERIES

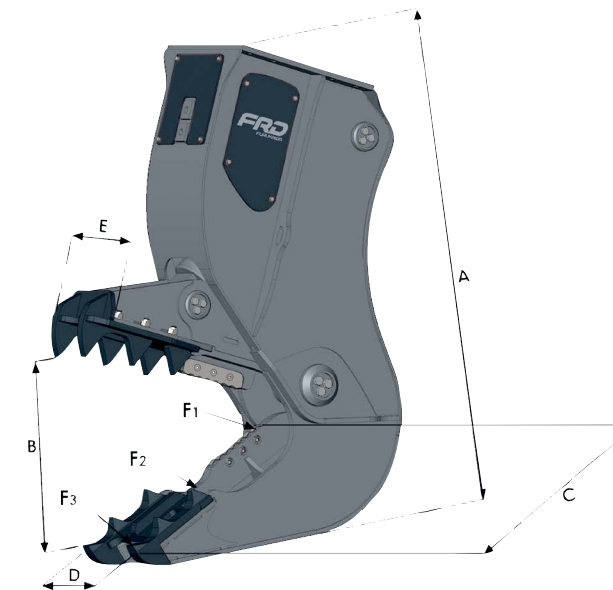
# SECONDARY CRUSHERS

## FRD SECONDARY CRUSHER - VS SERIES -

Because of the angled shape the FRD crusher is ideal for secondary demolition and crushing reinforced concrete elements. The wide shaped jaw makes it easier to grab demolition material that has fallen on the ground. A clean separation of reinforcement steel and concrete as well as subsequent crushing of the concrete elements for crushing plants or just for filling appropriate particle size is guaranteed. With the steel cutter blade it is easy to cut the reinforcement bars to the desired length.

### MAXIMUM DURABILITY

- Extremely stable housing with low weight
- Speed valve for quick and efficient work
- Feed opening with optimized shape for easy collecting and loading of reinforcing steel
- Optimal tooth geometry ensures that large concrete parts do not slip away from the crushed material.
- Replaceable wear parts
- Replaceable tooth plates and cutting blades



		VS9 E	VS15 E	VS22 E	VS30 E	VS40 E
A	mm	1900	2250	2395	2685	2800
B	mm	710	840	905	1025	1200
C	mm	850	980	1060	1200	1260
D	mm	404	454	490	490	530
E	mm	260	290	314	314	354
F1	kN	1500	2000	2470	2740	3400
F2	kN	1000	1300	1500	1600	1750
F3	kN	650	800	900	1100	1200
Cutter length	mm	200	300	300	300	300
Oil flow	l/min	140 - 200	200 - 250	200 - 300	300 - 400	350 - 450
Working pressure	bar	350	350	350	350	350
Operating Weight	kg	1300	1800	2150	2580	3360
Excavator	t	11 - 16	16 - 22	20 - 28	24 - 35	35 - 50

# VS SERIES



Furukawa Rockdrill Europe BV  
Proostwetering 29  
3543 AB Utrecht, The Netherlands  
Phone +31-(0)30-2412277  
Fax +31-(0)30-2412305  
[www.frd.eu](http://www.frd.eu)



WHERE EXPERIENCE COUNTS